



## Excellence in medical care

For over 15 years now, LED technology pioneer SIMEON has provided complete, future-oriented top products at a cost-to-benefit ratio which is unparalleled across the world. Thanks to their special design and unique reflector technology, SIMEON's innovative solutions ensure ideal lighting conditions and cover all demands for hygiene and function in the medical field. SIMEON products are made in Germany and undergo certified production with continuous quality control.



S.I.M.E.O.N. Medical GmbH & Co. KG  
In Grubenäcker 18  
78532 Tuttlingen, Germany  
Telephone: +49 7461 90068-0  
Fax: +49 7461 90068-900  
www.simeonmedical.com  
info@simeonmedical.com



PUSHING TECHNOLOGY TO EXCELLENCE

09/2015 Art. No. 100-0018245 COH003-01026

## Sim.LED examination lights Another dimension of light



PUSHING TECHNOLOGY TO EXCELLENCE

## Revolutionary design

- The SIMEON triangle design offers the maximum light-emitting surface

- Seamlessly sealed design meets the highest hygienic demands

- Light head made of light aluminium allows for fast and steady maneuverability



5-year warranty for Sim.PODs

## The latest LED technology also for the examination field

Challenging tasks demand more than conventional solutions. With the innovative Sim.LED family of examination lights, you benefit from all the advantages of the most modern LED technology:

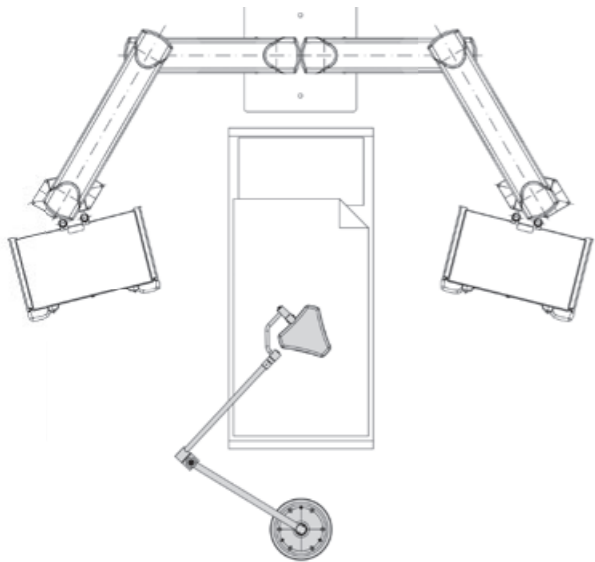
- the latest monochromatic white-light LEDs
- patented reflector technology and
- the arrangement of the LEDs in a unique design with a seamlessly sealed construction

As a technological leader in the area of LEDs for the OR area, SIMEON has applied its extensive know-how to the examination lights. The result: The new Sim.LED family of our examination lights combines the highest performance values and the best features, together with cost-effective attractiveness. These lights also set new benchmarks in terms of energy consumption, hygiene and cleanliness. Thus, they ensure easily and intelligently that the best examination lights are always available to you.

## Patented reflector technology

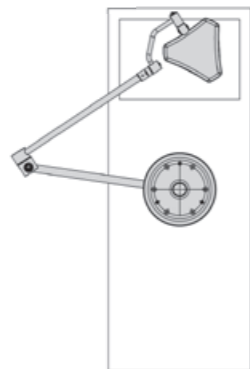
- Sim.POD: three high-performance LEDs of the latest generation in the centre of a high-gloss aluminium reflector
- Optimal illumination: homogenous light field maneuverability
- Maximum energy efficiency and optimal heat management: Ideal light yield with a small number of LEDs and aluminum reflectors, optimum heat dissipation thanks to aluminum LED carriers





#### Intensive care

With the Sim.LED 4500 placed at the foot end, small interventions can be conducted directly on location.



#### Plastic surgery

The Sim.LED 4500 (potentially in conjunction with a monitor) is an configuration for this discipline.



## Sim.LED 4500 – the examination lights with the highest light yield

The Sim.LED 4500 is the ideal light for examinations and small outpatient interventions which are routine in intensive care and plastic surgery. This product is characterized by its deal illumination, homogenous light and very good depth illumination. Another attractive aspect of the Sim.LED 4500 is its very low power consumption. The high-grade materials and unique design offer a wide range of adjustment options, smooth positioning and low heat output from the lights.

- Sim.LED 4500: the ideal light for in-depth examinations
- Homogenous light field thanks to patented reflector technology
- With continuously variable for individual light setting



Sim.LED 4500	
Central illumination intensity at a distance of 1 meter [lx]	100,000
Electrical dimmability from/to [lx]	25,000 – 100,000
Color temperature [K]	4,500
Field size d10 at a distance of 1 meter [mm]	170
Colour rendering index Ra	96
Red rendering index R9	96
Illumination depth without refocusing (L1/L2) [mm]	1,530
Light head weight [kg]	3
Light head power consumption [W]	28
LED lifespan [h]	> 50,000

Tolerance ±10%

# Sim.LED 3500+ – the modern examination light

The Sim.LED 3500+ gives your OR-light quality and an optimal light-emitting surface for examinations. Its six Sim.PODs produce large-area, homogenous light. The innovative triangle design lends this modern light an especially attractive appearance. Its low weight makes it easy to move.

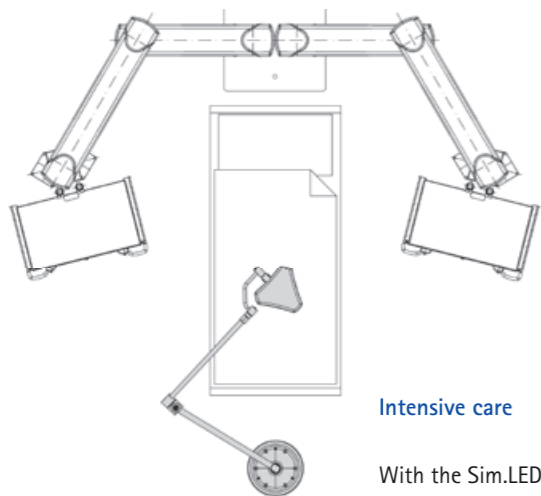
- Maximum light-emitting surface and optimized visibility thanks to optimized depth illumination
- Seamlessly sealed design meets the highest hygienic demands
- Continuously variable dimming



Sim.LED 3500+ with wall mount

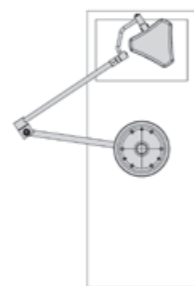
Sim.LED 3500+ with ceiling mount

And of course you can take advantage of all the benefits of Sim.LED 3500+ in mobile applications.



Intensive care

With the Sim.LED 3500+ placed at the foot end, small interventions can be conducted directly on location.



Treatment rooms

Sim.LED 3500+ sheds light on any treatment situation at any time and place.

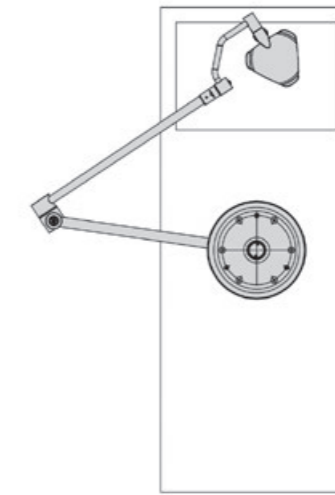
Sim.LED 3500+	
Central illumination intensity at a distance of 1 meter [lx]	60,000
Electrical dimmability from/to [lx]	25,000 – 60,000
Color temperature [K]	4,500
Field size d10 at a distance of 1 meter [mm]	170
Colour rendering index Ra	96
Red rendering index R9	96
Power consumption [W]	15
No. of LEDs	18
LED lifespan [h]	> 50,000
Approval	CE

Tolerance ±10%

## Sim.LED 350 – efficient and flexible in practice

The Sim.LED 350 ensures OR light quality and optimum light yield on a defined area with this three geometrically arranged reflectors in a triangle design. Here too, the triangle design results in a modern, innovative look that fits in anywhere.

- Optimized visibility thanks to optimized depth illumination
- Seamlessly sealed design meets the highest hygienic demands
- Light head made of light aluminium allows for fast and steady maneuverability



### Treatment rooms

Sim.LED 350 sheds light on any treatment situation at any time and place.



Sim.LED 350	
Central illumination intensity at a distance of 1 meter [lx]	60,000
Electrical dimmability from/to [lx]	30,000 – 60,000
Color temperature [K]	4,500
Field size d10 at a distance of 1 meter [mm]	170
Colour rendering index Ra	96
Red rendering index R9	96
Power consumption [W]	25
No. of LEDs	9
LED lifespan [h]	> 50,000
Approval	CE

Tolerance ±10%

Sim.LED 350 as a mobile version

## Sim.LED 250 – reduced to the optimum

The Sim.LED 250, with a Sim.POD and a total of 3 LEDs, is the ideal light for your individual examination needs since it offers an optimal light yield. Thanks to its flexibility and optimal downsizing, the Sim.LED 250 fits well with every type of use, in every place of operation.

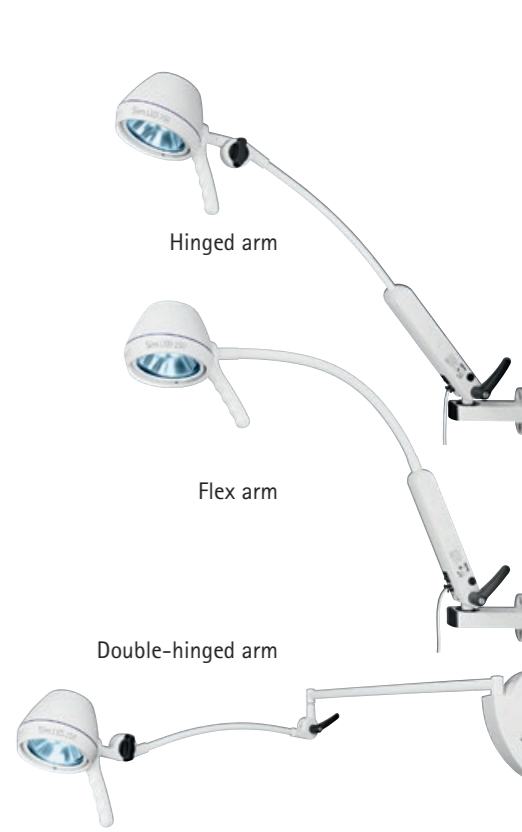
- Seamlessly sealed design meets the highest hygienic demands
- Light head made of lightweight aluminum enables quick and smooth positioning



Flex arm mounted on the ceiling-mounting supply unit



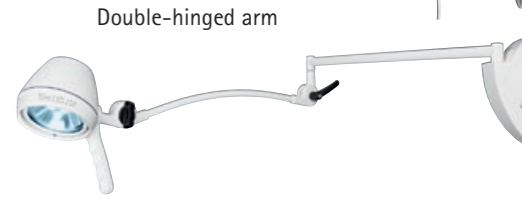
Double-joint arm



Hinged arm



Flex arm



Double-hinged arm

## Flexible and mobile

Thanks to the variable mounting system, you can mount your Sim.LED examination lights on the ceiling or on the wall or use it as a mobile version. With Sim.LED your technology will always be state-of-the-art.



Double-hinged arm

Hinged arm  
(also available with a height-adjustable stand)

Flex arm  
(also available with a height-adjustable stand)

Sim.LED 250	Sim.LED 250 (at a 0.5 m distance)	Sim.LED 250 (at a 1.0 m distance)
Central illumination [lx]	55,000	25,000
Color temperature [K]	4,500	4,500
Field size d10 [mm]	110	165
Colour rendering index Ra	> 93	> 93
Power consumption [W]	15	15
No. of LEDs	3	3
LED lifespan [h]	> 50,000	> 50,000
Approval	CE	CE

Tolerance ±10%